

HRM(Group 6) Series**High voltage Reed Relay****1 Feature**

- ◆ 6 Channel high voltage relay module
- ◆ Dielectric strength up to 6 KVDC
- ◆ High Insulation resistance, up to $10^{12}\Omega$
- ◆ LED indicate light
- ◆ DIN Guide or M4 screw mount available
- ◆ Custom Design, conforming to Rohs directive

**2 Performance Data**

Paramenter	Units	Value	
Relay Model	/	HRM□-6A06	
Contact Rating	W	100	
Max.Switching Voltage (Max DC/Peak AC)	V	1000	
Max.Switching Current (Max DC/Peak AC)	A	1.0	
Max.Carry Current	A	2.5	
Contact Resistance	mΩ	300	
Dielectric Strength (static)	Between contact	VDC	6000
	Contact to coil	VDC	6000
Insulation Resistance	Ω	10^{12}	
Operate Time	ms	1.0	
Release Time	ms	0.1	
Vibration(0~2000Hz)	G	20	
Shock(11ms, 1/2 sine)	G	50	
Operating Temp	°C	-20~+70	
Storage Temp	°C	-35~+105	
Life Expectancy	Ops	5×10^7 (at 500VDC-10mA)	
Outline Dimensions	/	Reference outline drawing	

3 Coil Parameters

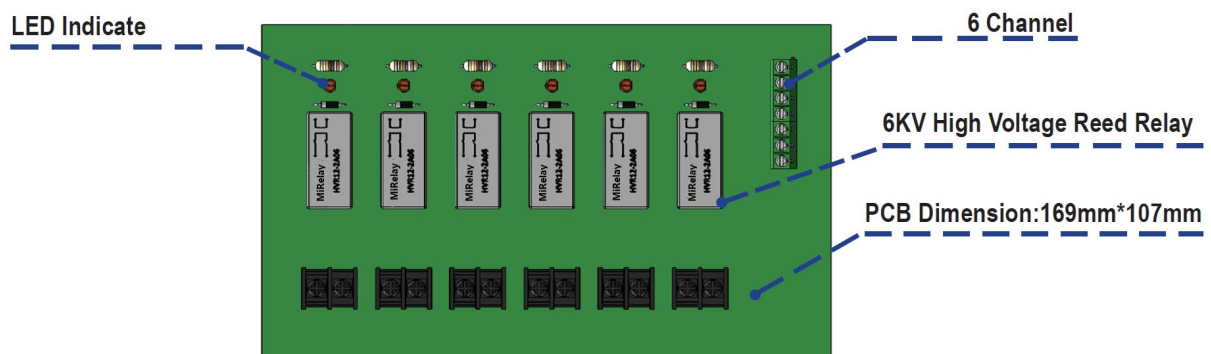
Model	Nominal Voltage (VDC)	Pickup Voltage Max.(VDC)	Dropout Voltage Min.(VDC)	Operate Voltage Max.(VDC)	Coil Resistance ($\pm 10\% \Omega$ at 20°C)
HRM□-6A06	5	4	0.5	7	120
	12	9	1	16	250
	24	18	2	29	1600

4 Example of order marking

HRM □ - □ □ □ - (XXX)
 ① ② ③ ④ ⑤ ⑥

- ⑱ Product model: HRM
- ⑳ Nominal coil voltage: 05: 5VDC、12: 12VDC、24: 24VDC
- ㉑ Contact form: 6A: 6 Form A
- ㉒ Breakdown voltage: 06: 6KV
- ㉓ Assesories: Blank: None、F: With plinth
- ㉔ Special code: Customer special requirement

5 Outline drawing



6 Precautions for use

- ※ Avoid installing relays where rain falls, or where there is a strong magnetic field, or near an object with thermal radiation.
- ※ Switching inductive or capacitive load systems will produce peak voltage or current, it is recommended to use protective circuit, otherwise, may cause relay damage.
- ※ Avoid excessive packing density in use which may affect the electrical characteristics of the relay.
- ※ Mechanical impact strength is too large, will cause the relay to use the fault.
- ※ When the relay is used for wave soldering, the maximum temperature is 260℃ and the time does not exceed 5s.

⚠Statement:

The document is for customer reference only. Specifications and parameters may be changed due to product improvement. For the specific parameters and performance of each product, please refer to the specifications and samples provided by Mirelay without further notice.

Relay performance parameters in different application areas are different, so customers should choose the appropriate products according to the specific conditions of use, if in doubt, please contact Shanghai MiRelay Electronics Co.,Ltd. for more technical support.

HRM(Group 2) Series

High voltage Reed Relay

1 Feature

- ◆ 2 Channel high voltage relay module
- ◆ Dielectric strength up to 15 KVDC
- ◆ High Insulation resistance, up to $10^{12}\Omega$
- ◆ LED indicate light
- ◆ DIN Guide or M4 screw mount avaiable
- ◆ Custom Design, conforming to Rohs directive

www.reed-relay.com
 www.mi-relay.com
 sales@reed-relay.com
 +86 13761571029



2 Performance Data

Paramenter		Units	Value	
Relay Model		/	HRM□-2A10	HRM□-2A15
Contact Rating		W	10	
Max.Switching Voltage (Max DC/Peak AC)		V	7000	10000
Max.Switching Current (Max DC/Peak AC)		A	3.5	
Max.Carry Current		A	5.0	
Contact Resistance		mΩ	150	
Dielectric Strength (static)	Between contact	VDC	10000	15000
	Contact to coil	VDC	15000	
Insulation Resistance		Ω	10^{12}	
Operate Time		ms	3.0	
Release Time		ms	1.5	
Vibration(0~2000Hz)		G	20	
Shock(11ms, 1/2 sine)		G	50	
Operating Temp		°C	-20~+70	
Storage Temp		°C	-35~+105	
Life Expectancy		Ops	5×10^7 (at 500VDC-10mA)	
Outline Dimensions		/	Reference outline drawing	

3 Coil Parameters

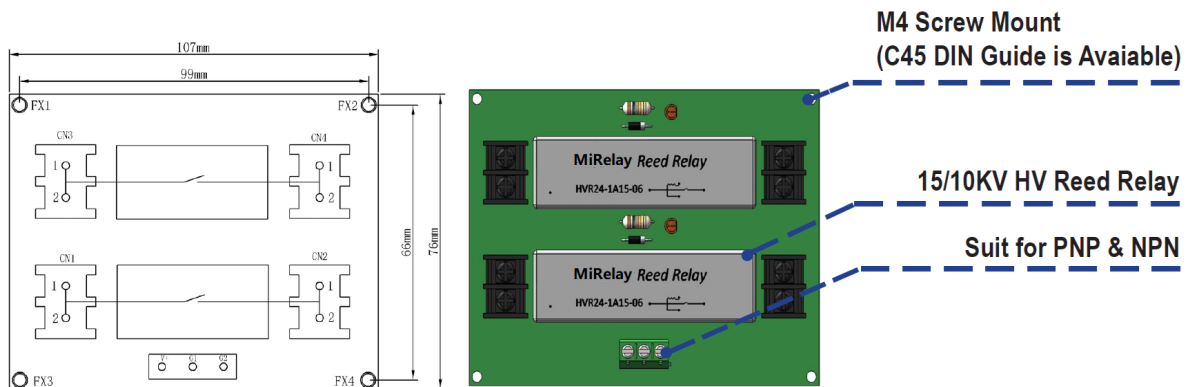
Model	Nominal Voltage (VDC)	Pickup Voltage Max.(VDC)	Dropout Voltage Min.(VDC)	Operate Voltage Max.(VDC)	Coil Resistance ($\pm 10\% \Omega$ at 20°C)
HRM□-2A	5	4	0.5	6.5	30
	12	9	1	15	200
	24	18	2	29	600

4 Example of order marking

HRM - - (XXX)
 ① ② ③ ④ ⑤ ⑥

- 25 Product model: HRM
- 26 Nominal coil voltage: 05: 5VDC、12: 12VDC、24: 24VDC
- 27 Contact form: 2A: 2 Form A
- 28 Breakdown voltage: 10: 10KV、15: 15KV
- 29 Assesories: Blank: None、F: With plinth
- 30 Special code: Customer special requirement

5 Outline drawing



6 Precautions for use

- ※ Avoid installing relays where rain falls, or where there is a strong magnetic field, or near an object with thermal radiation.
- ※ Switching inductive or capacitive load systems will produce peak voltage or current, it is recommended to use protective circuit, otherwise, may cause relay damage.
- ※ Avoid excessive packing density in use which may affect the electrical characteristics of the relay.
- ※ Mechanical impact strength is too large, will cause the relay to use the fault.
- ※ When the relay is used for wave soldering, the maximum temperature is 260°C and the time does not exceed 5s.

⚠Statement:

The document is for customer reference only.Specifications and parameters may be changed due to product improvement. For the specific parameters and performance of each product, please refer to the specifications and samples provided by Mirelay without further notice.

Relay performance parameters in different application areas are different, so customers should choose the appropriate products according to the specific conditions of use, if in doubt, please contact Shanghai MiRelay Electronics Co.,Ltd. for more technical support.

HRM(Group 12) Series**High voltage Reed Relay****1 Feature**

- ◆ 12 Channel high voltage relay module
- ◆ Dielectric strength up to 4 KVDC
- ◆ High Insulation resistance, up to $10^{12}\Omega$
- ◆ LED indicate light
- ◆ DIN Guide or M4 screw mount available
- ◆ Custom Design, conforming to Rohs directive

**2 Performance Data**

Parameter	Units	Value	
Relay Model	/	HRM□-12A04	
Contact Rating	W	100	
Max.Switching Voltage (Max DC/Peak AC)	V	1000	
Max.Switching Current (Max DC/Peak AC)	A	1.0	
Max.Carry Current	A	2.5	
Contact Resistance	mΩ	150	
Dielectric Strength (static)	Between contact	VDC	4000
	Contact to coil	VDC	4000
Insulation Resistance	Ω	10^{12}	
Operate Time	ms	1.0	
Release Time	ms	0.1	
Vibration(0~2000Hz)	G	20	
Shock(11ms, 1/2 sine)	G	50	
Operating Temp	°C	-20~+70	
Storage Temp	°C	-35~+105	
Life Expectancy	Ops	5×10^7 (at 500VDC-10mA)	
Outline Dimensions	/	Reference outline drawing	

3 Coil Parameters

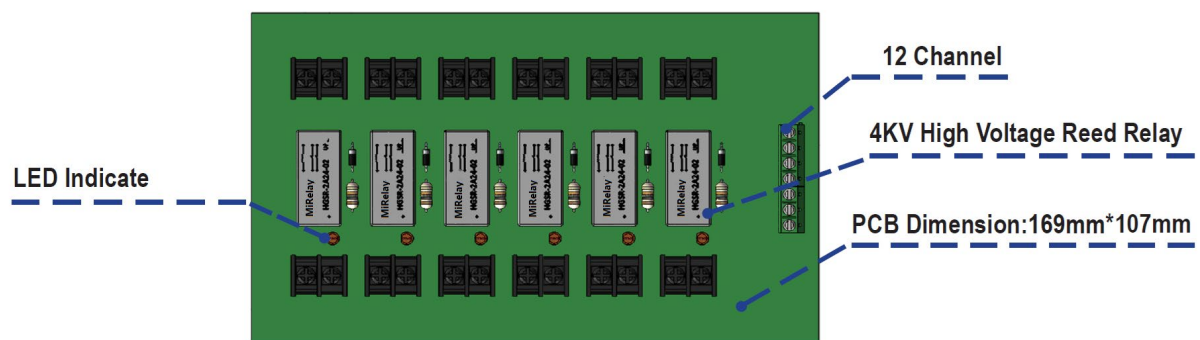
Model	Nominal Voltage (VDC)	Pickup Voltage Max.(VDC)	Dropout Voltage Min.(VDC)	Operate Voltage Max.(VDC)	Coil Resistance ($\pm 10\% \Omega$ at 20°C)
HRM□-12A04	5	4	0.5	7	120
	12	9	1	16	250
	24	18	2	29	1600

4 Example of order marking

HRM □ - □ □ □ - (XXX)
 ① ② ③ ④ ⑤ ⑥

- 31 Product model: HRM
- 32 Nominal coil voltage: 05: 5VDC、12: 12VDC、24: 24VDC
- 33 Contact form: 12A: 12 Form A
- 34 Breakdown voltage: 04: 4KV
- 35 Assesories: Blank: None、F: With plinth
- 36 Special code: Customer special requirement

5 Outline drawing



6 Precautions for use

- ※ Avoid installing relays where rain falls, or where there is a strong magnetic field, or near an object with thermal radiation.
- ※ Switching inductive or capacitive load systems will produce peak voltage or current, it is recommended to use protective circuit, otherwise, may cause relay damage.
- ※ Avoid excessive packing density in use which may affect the electrical characteristics of the relay.
- ※ Mechanical impact strength is too large, will cause the relay to use the fault.
- ※ When the relay is used for wave soldering, the maximum temperature is 260℃ and the time does not exceed 5s.

⚠Statement:

The document is for customer reference only. Specifications and parameters may be changed due to product improvement. For the specific parameters and performance of each product, please refer to the specifications and samples provided by Mirelay without further notice.

Relay performance parameters in different application areas are different, so customers should choose the appropriate products according to the specific conditions of use, if in doubt, please contact Shanghai MiRelay Electronics Co.,Ltd. for more technical support.